

BriteWay™

Canopies + Walkways

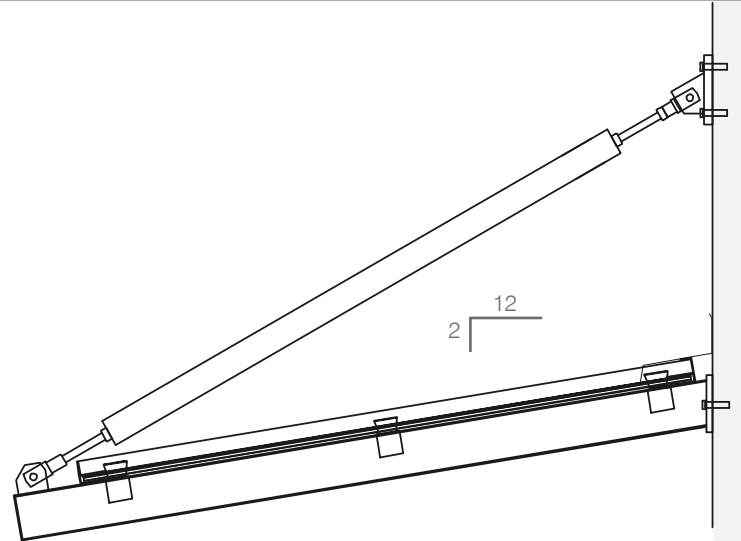


LiteBrow

Suspended Translucent Canopy System

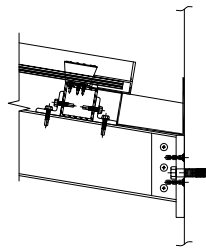
LiteBrow is an extremely durable pre-engineered attached canopy system designed to withstand a combined load of up to +/- 120 psf. While these modular canopy units come in three standard sizes, custom engineered systems are also available.

- Shipped fully assembled for fast, easy installation
- All connection components and hardware are provided by Kingspan Light + Air | CPI Daylighting
- Can utilize either Pentaglas® or our monolithic U-Lite glazing panels



◀ Improved work environment promotes comfort

A 144' long curving suspended translucent canopy was engineered and installed over the cafeteria windows at a corporate facility. The canopy provides durable translucent shelter while allowing diffused natural light to filter into the cafeteria, providing a bright comfortable environment for the company's employees.



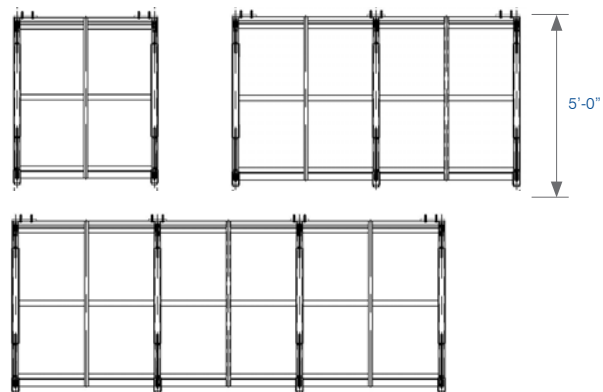
Reverse incline with gutter at wall

Typical units are designed to slope away from the building, but designers have the option to request a reverse incline which includes a gutter at the face of the wall.



Standard LiteBrow canopy sizes

These canopies are available in 5'x4', 5'x8' and 5'x12' units



Making the perfect entrance
is easier than you think.

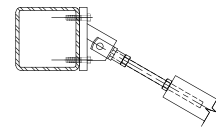
A modern alternative to awnings and sun shades

We have designed a system that not only protects the front entrance of your building, but it also allows glare-free natural light into the adjacent space while limiting heat gain - creating a more pleasant and comfortable environment for occupants.

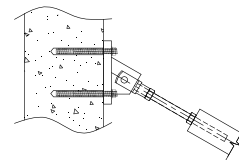
More traditional systems, such as awnings and sun shades, are designed to block out the light, leaving these spaces cast in shadow.

◀ Wall Connections

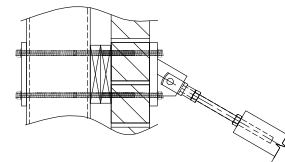
Tie rods must attach back to a structural component of the wall. Connections and fasteners will vary depending on building material.



Connection to steel



Connection to concrete



Connection to masonry wall



**Kingspan Light + Air
CPI Daylighting**

28662 N. Ballard Drive
Lake Forest, IL 60045 U.S.A.

800.759.6985 847.816.1060

Fax 847.816.0425



To learn more, visit:

cpidaylighting.com

Olympia Regional Learning Academy id 37100
Olympia, WA
TCF Architecture

© 2016 Kingspan Light + Air | CPI Daylighting All rights reserved.

Kingspan Light + Air | CPI Daylighting, Inc. reserves the right to change, discontinue or modify our products, specifications and designs at any time without notice and without incurring obligations. Printed in the U.S.A.